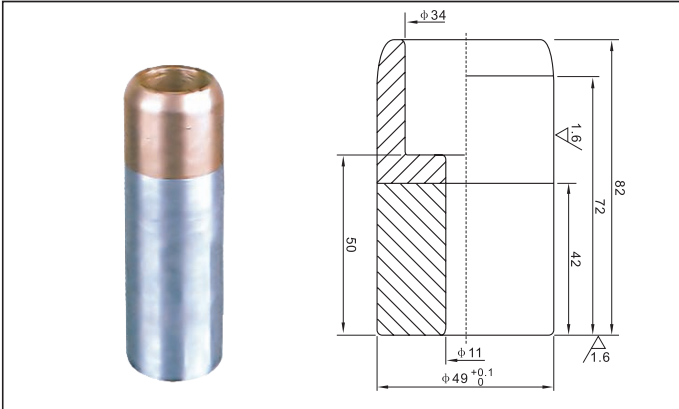


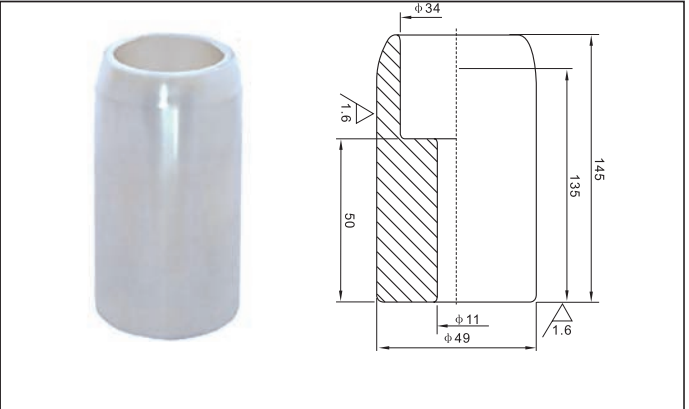
FIXED CONTACT SERIES

<p>Model No.: LYB101 Material: T2 Red Copper 630A Fixed contact</p>	<p>Model No.: LYB113 Material: T2 Red Copper 630A Fixed contact</p>
<p>Model No.: LYB007 Material: Copper & Aluminum 630A Fixed contact</p>	<p>Model No.: LYB117 Material: T2 Red Copper 630A Fixed contact</p>
<p>Model No.: LYB102 Material: T2 Red Copper 1250A Fixed contact</p>	<p>Model No.: LYB103 Material: T2 Red Copper 1250A Fixed contact</p>

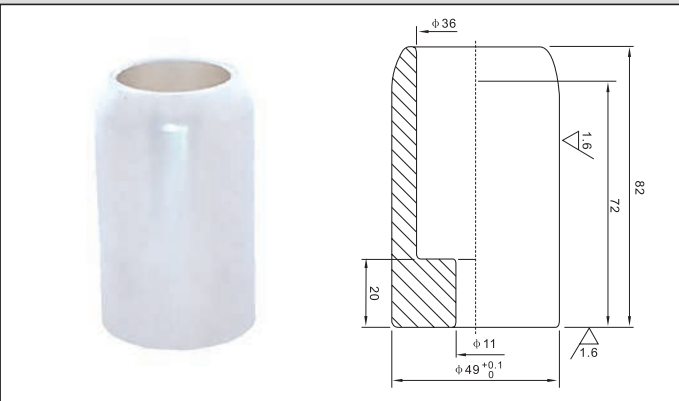
Model No.: LYB008 Material: Copper & Aluminum 1250A Fixed contact



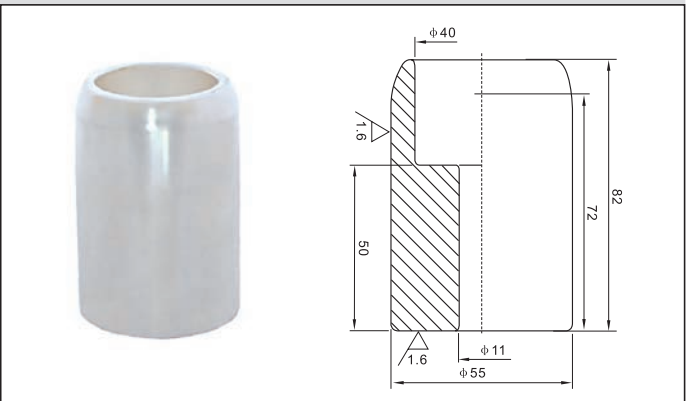
Model No.: LYB118 Material: T2 Red Copper 1250A Fixed contact



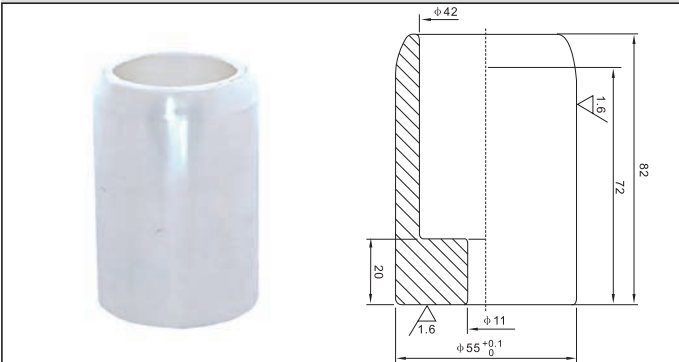
Model No.: LYB114 Material: T2 Red Copper 1250A Fixed contact



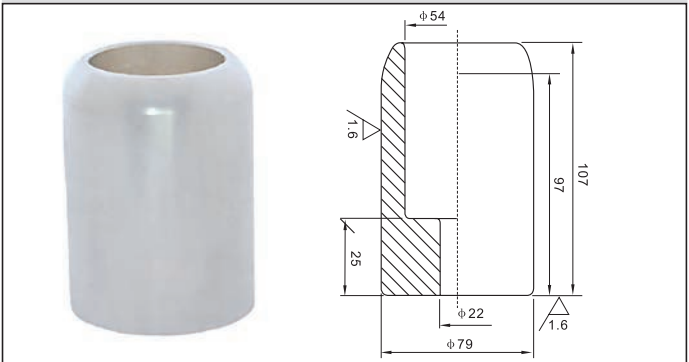
Model No.: LYB104 Material: T2 Red Copper 1600A Fixed contact



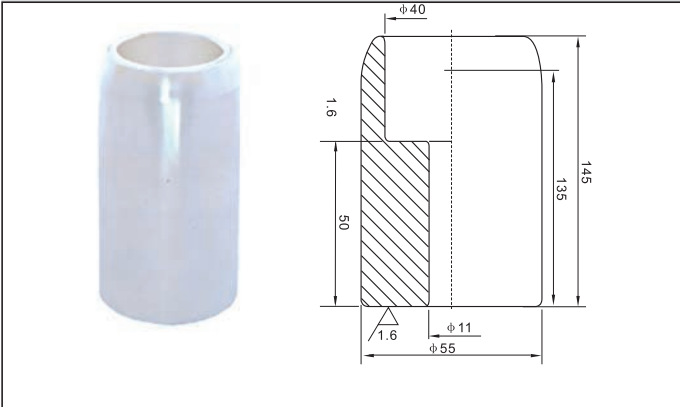
Model No.: LYB115 Material: T2 Red Copper 1600A Fixed contact



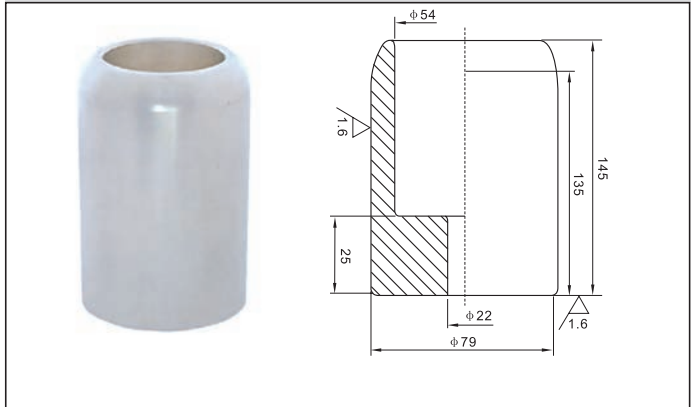
Model No.: LYB105 Material: T2 Red Copper 2000A Fixed contact



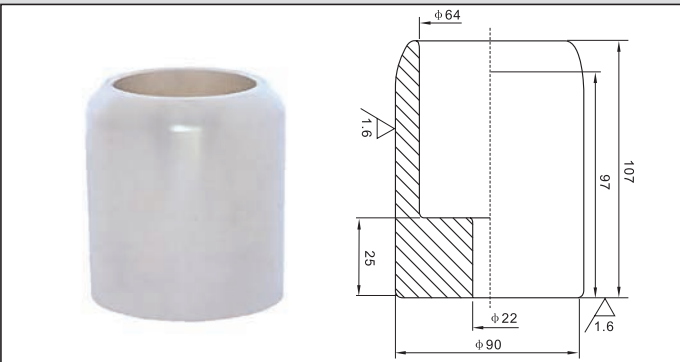
Model No.: LYB119 Material: T2 Red Copper 1600A Fixed contact



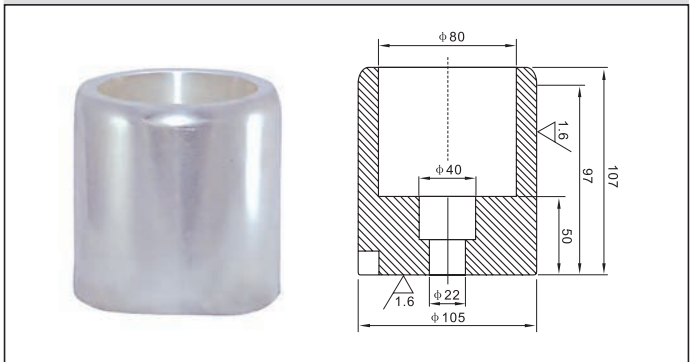
Model No.: LYB120 Material: T2 Red Copper 2000A Fixed contact



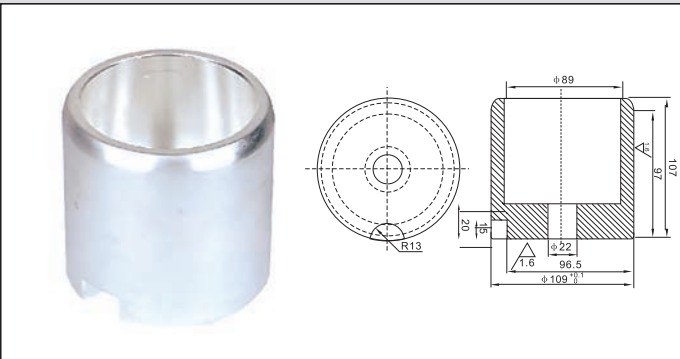
Model No.: LYB106 Material: T2 Red Copper 2000A Fixed contact



Model No.: LYB107 Material: T2 Red Copper 3150A Fixed contact



Model No.: LYB116 Material: T2 Red Copper 3150A Fixed contact



Model No.: LYB108 Material: T2 Red Copper 4000A Fixed contact

