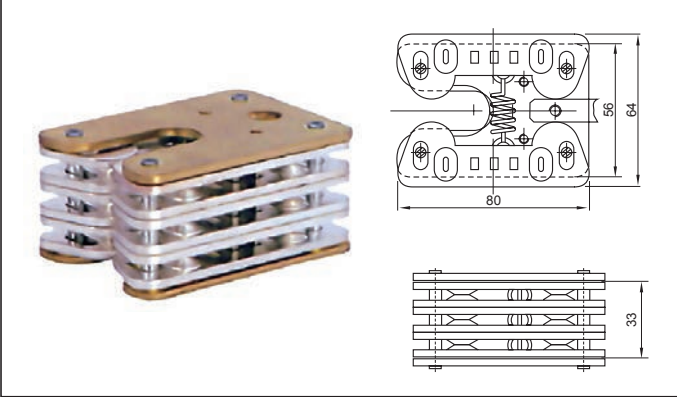
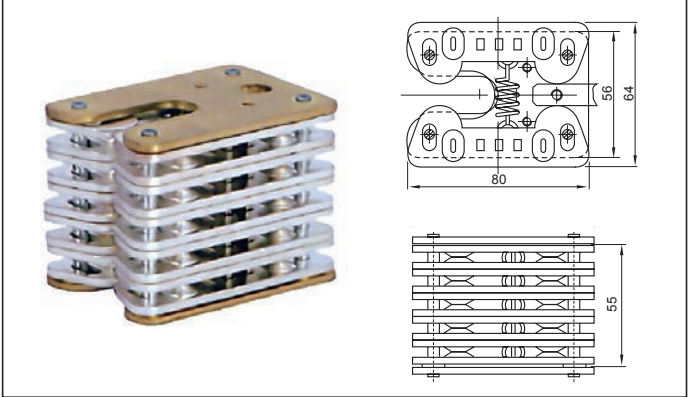


FLAT CONTACT SERIES

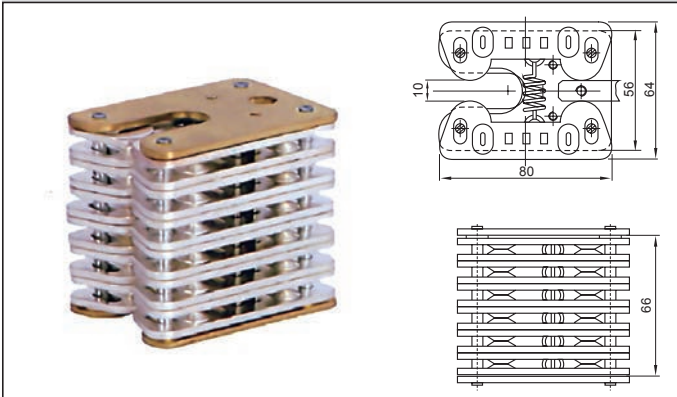
Model No.: LYA301 GC8-630A Flat contact with 12 sheets
Contact plate thickness: 10mm Insertion depth:34±2mm



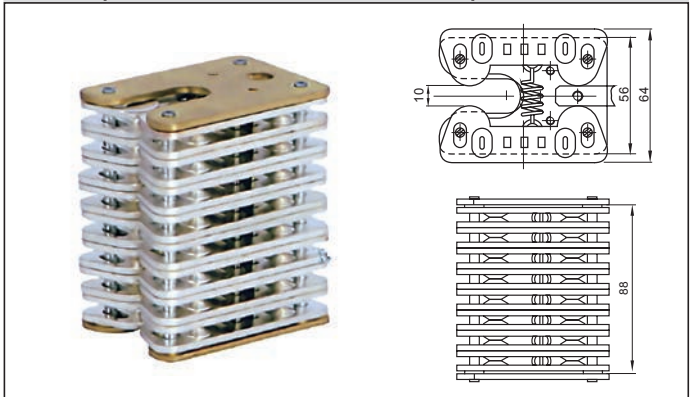
Model No.: LYA302 GC8-1000A Flat contact with 20 sheets
Contact plate thickness: 10mm Insertion depth:34±2mm



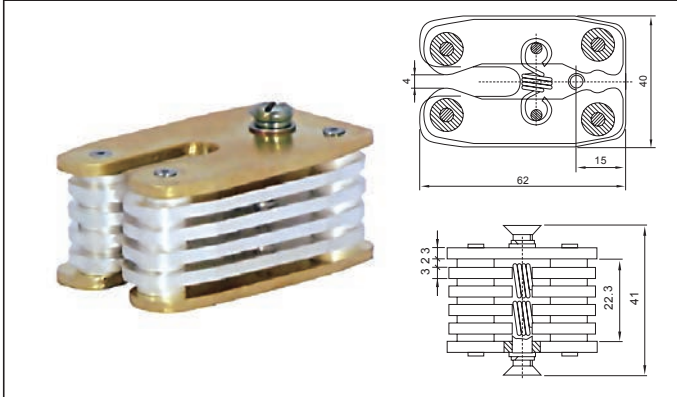
Model No.: LYA303 GC8-1250A Flat contact with 24 sheets
Contact plate thickness: 10mm Insertion depth:34±2mm



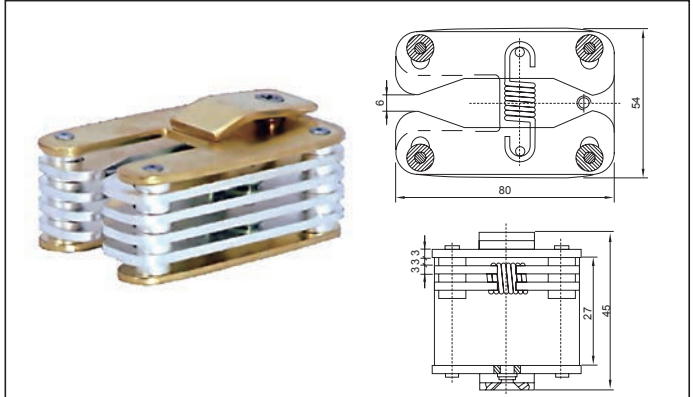
Model No.: LYA304 GC8-1600A Flat contact with 32 sheets
Contact plate thickness: 10mm Insertion depth:34±2mm



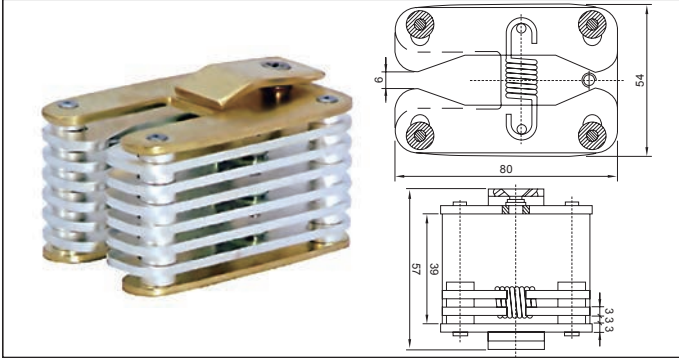
Model No.: LYA401 GC6-400A Flat contact with 8 sheets
Contact plate thickness: 6mm Insertion depth:22±2mm



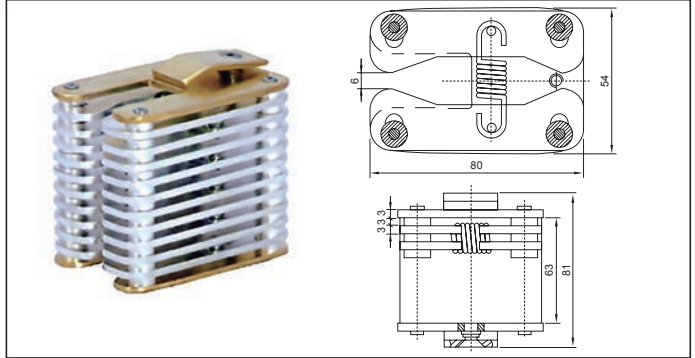
Model No.: LYA402 GC6-400A Flat contact with 8 sheets
Contact plate thickness: 10mm Insertion depth:34±2mm



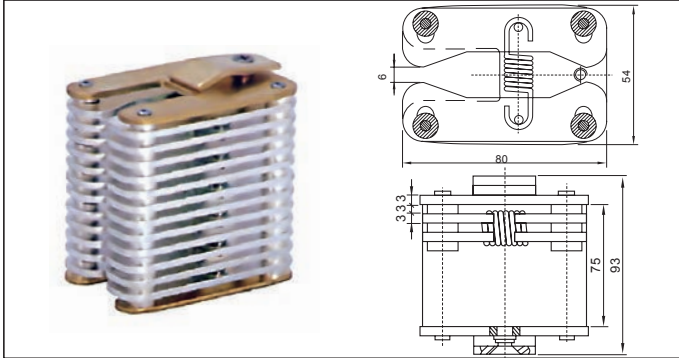
Model No.: LYA403 GC6-630A Flat contact with 12 sheets
Contact plate thickness: 10mm Insertion depth:34±2mm



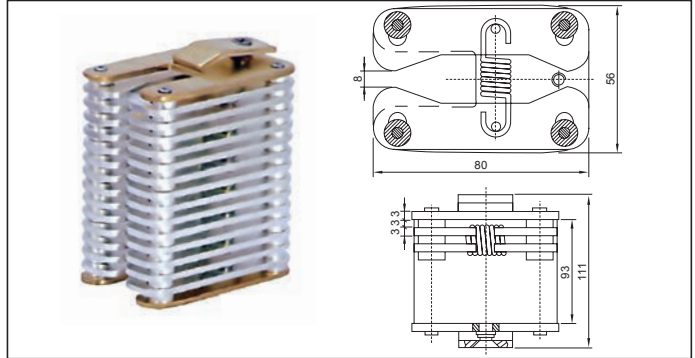
Model No.: LYA404 GC6-1000A Flat contact with 20 sheets
Contact plate thickness: 10mm Insertion depth:34±2mm



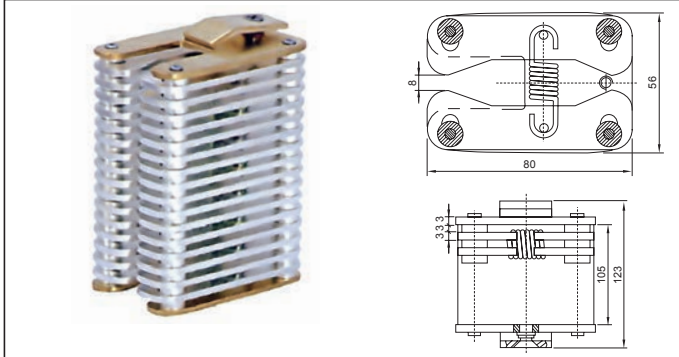
Model No.: LYA405 GC6-1250A Flat contact with 24 sheets
Contact plate thickness: 10mm Insertion depth:34±2mm1)



Model No.: LYA406 GC6-1600A Flat contact with 28 sheets
Contact plate thickness: 12mm Insertion depth:34±2mm



Model No.: LYA407 GC6-1600A Flat contact with 32 sheets
Contact plate thickness: 12mm Insertion depth:34±2mm



Model No.: LYA408 GC6-2000A Flat contact with 32 sheets
Contact plate thickness: 15mm Insertion depth:34±2mm

