

12KV EARTHING SWITCH SERIES

Model No.: LYE101 Name: JN15A-12/31.5 Indoor AC high voltage earthing switch



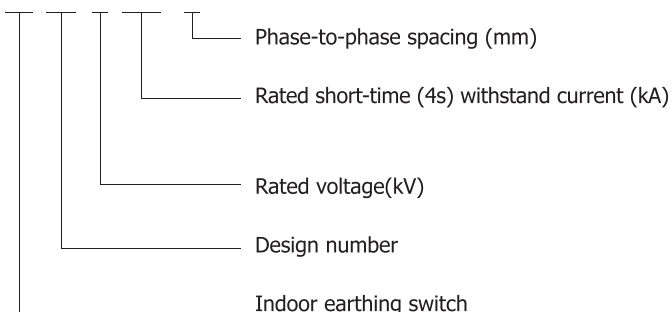
Summary:

JN15A-12/31.5 indoor AC high voltage earthing switch is an advanced level product with high-tech parameters performance. After comprehensive evaluation, it conforms to GB1985 and IEC62271 standard, applies to power system of 3-12kV and three-phase AC 50Hz. It owns short-circuit making capacity to protect other electric equipment not being damaged. Can be used with various high voltage switchgear, also play a protective role in the high-voltage electrical equipment overhaul.

Item		Unit	Data	
Rated voltage		kV	12	
Rated short-time withstand current		kA	31.5	
Rated short-circuit duration		s	4	
Rated short-circuit making current		kA	80	
Rated peak withstand current		kA	80	
Rated insulation level	PF withstand voltage (1 min)	kV	Phase to earth Phase to phase	42
	Lightning impulse withstand voltage			75
Mechanical endurance		Time	2000	

Model and meaning:

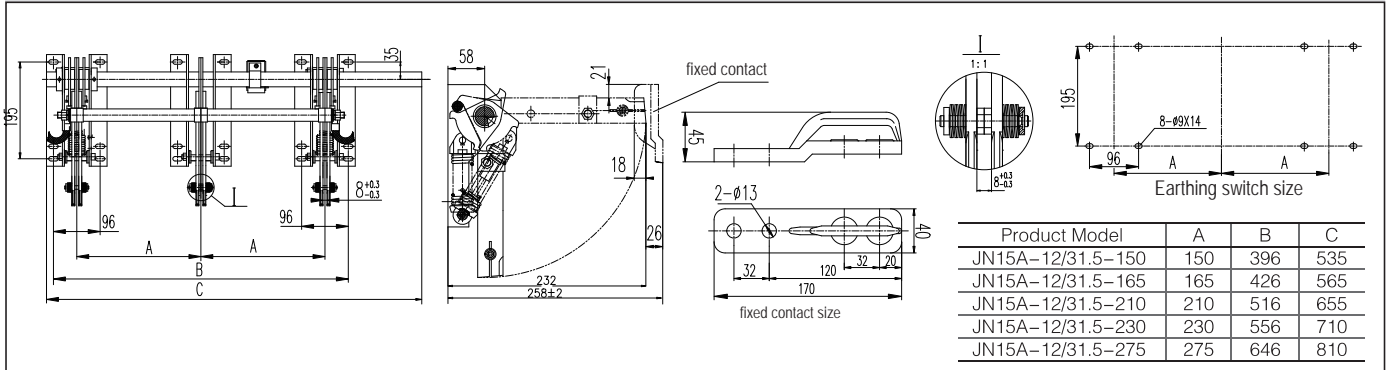
J N 15A-12 / 31.5 - □



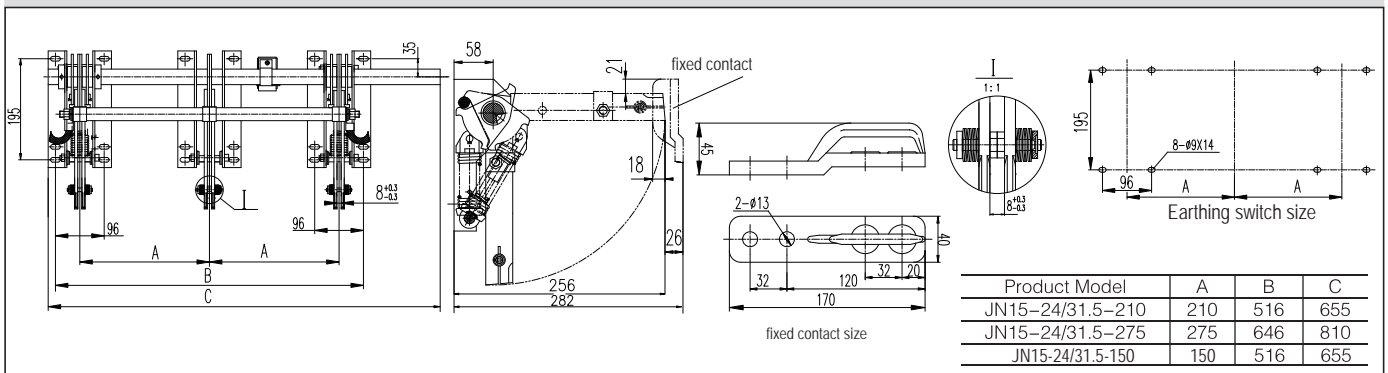
Ambient condition:

1. Altitude: $\leq 1000\text{m}$
2. Ambient temperature: $-10^{\circ}\text{C} \sim +40^{\circ}\text{C}$
3. Earthquake intensity: ≤ 8 degree
4. Pollution level: II
5. Relative humidity: Daily average $\leq 95\%$, Monthly average $\leq 90\%$

Model No.: LYE101 Name: JN15A-12/31.5 Indoor AC high voltage earthing switch



Model No.: LYE101.1 Name: JN15A-24/31.5 Indoor AC high voltage earthing switch (H=282)



Model No.: LYE101.2 Name: JN15A-24/31.5 Indoor AC high voltage earthing switch (H=356)

