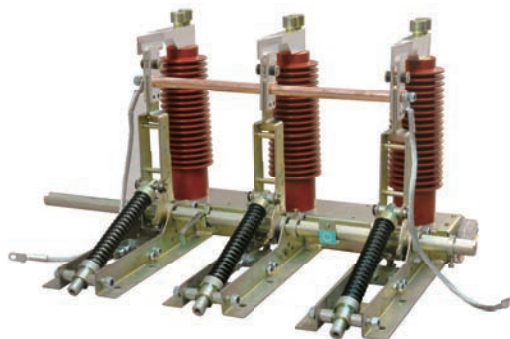


40.5KV EARTHING SWITCH SERIES

Product No.: LYE106 Name: JN22-40.5/31.5 Indoor AC high voltage earthing switch



Summary:

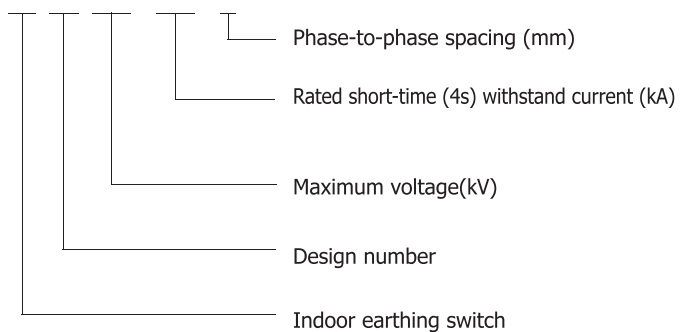
JN22-40.5/31.5 indoor AC high voltage earthing switch is an advanced level product with high-tech parameters performance. After comprehensive evaluation, it conforms to GB1985 AC HV disconnect switch and earthing switch, applies to power system of 40.5kV and AC 50Hz. Can be used with KYN61-40.5 and other types high voltage switchgear, also play a protective role in the high-voltage electrical equipment overhaul.

Technical Parameter:

Item	Unit	Data		
Rated voltage	kV	35		
Maximum voltage	kV	40.5		
Rated short-time withstand current	kA	31.5		
Rated short-circuit duration	s	4		
Rated short-circuit making current	kA	80		
Rated peak withstand current	kA	80		
Phases center distance	mm	280,300,350,400		
Rated insulation level	PF withstand voltage (1 min)	kV	Phase to earth	95
	Lightning impulse withstand voltage		Phase to phase	185

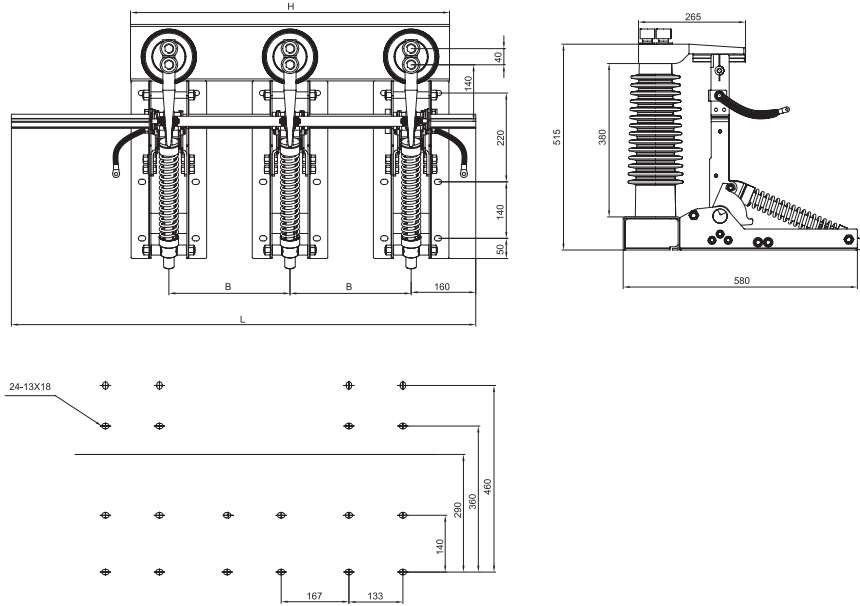
Model and meaning:

J N 22- 40.5 / 31.5 - □



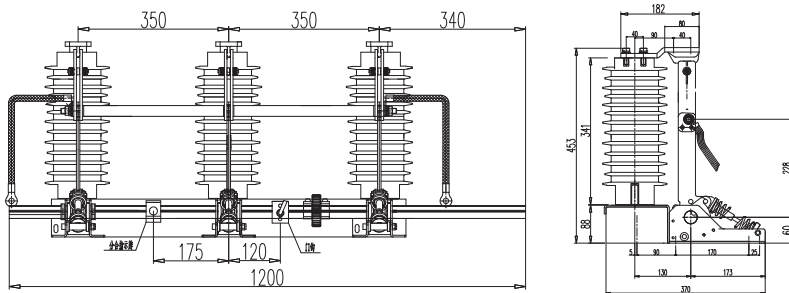
Ambient condition:

1. Altitude: $\leq 1000\text{m}$
2. Ambient temperature: $-10^{\circ}\text{C} \sim +40^{\circ}\text{C}$
3. Earthquake intensity: ≤ 8 degree
4. No flood, no explosion risk, no heavy dust and shake.

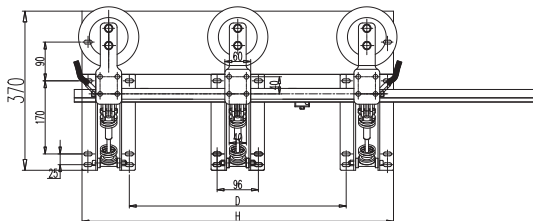


B	H	L
280	750	1180
300	790	1180
350	890	1280
400	990	1374

Product No.:LYE107 Name:JN22B-40.5/D31.5 motor type earthing switch



Product Model	E	G	D	H	L
JN22B-40.5/D31.5-280	280	410	464	684	1050
JN22B-40.5/D31.5-300	300	390	504	724	1100
JN22B-40.5/D31.5-350	350	340	604	824	1200
JN22B-40.5/D31.5-360	360	330	624	844	1200



ITEM	UNIT	DATA		
Rated voltage	kV	40.5		
Rated short-time withstand current	kA	31.5		
Rated short-circuit making current	kA	80		
Rated peak withstand current	kA	80		
Phase distance	mm	300,350,400		
Rated insulation level	power frequency withstand voltage (1 min)	kV	Pole to earth and phase to phase	95
	lightning impulse withstand voltage (BIL)			185